



# Parts Manual

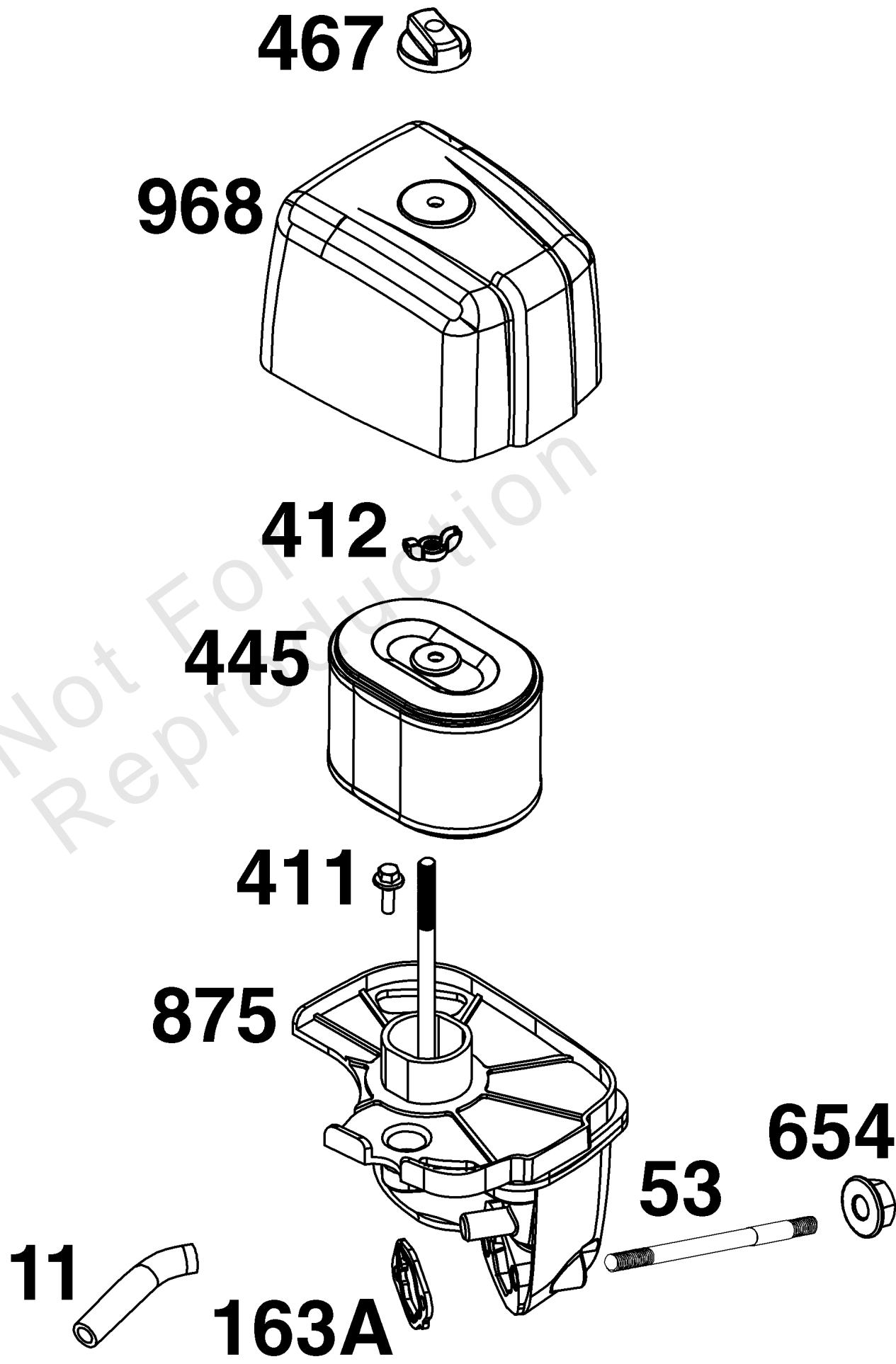
Mfg. No: 10U232-0023-J1



---

<b>Model Components</b>	<b>Page</b>
Air Cleaner Group.....	4
Blower Housing Group.....	6
Carburetor Group.....	8
Controls Group.....	10
Crankcase Cover/Sump Group.....	12
Crankshaft Group.....	14
Cylinder Group.....	16
Cylinder Head Group.....	18
Exhaust Group.....	20
Flywheel/Ignition/Starter Group.....	22
Fuel Supply Group.....	24
Lubrication Group.....	26

Not For  
Reproduction



## Air Cleaner Group

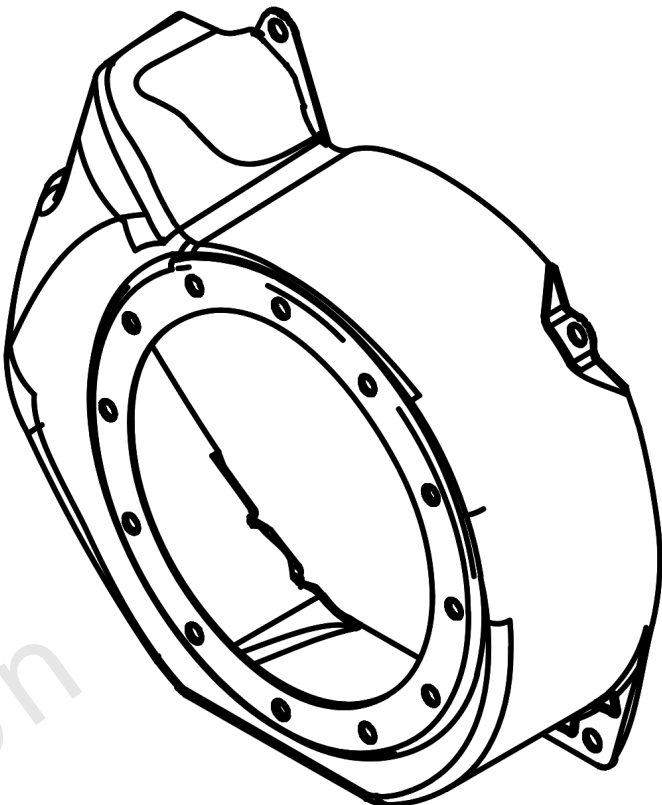
REF NO	PART NO	QTY	DESCRIPTION
11	797262	1	TUBE, Breather
53	-----	2	STUD -(Part information located in Carburetor Group.)
163A	-----	1	GASKET, Air Cleaner -(Part information located in Carburetor Group.)
411	797686	1	SCREW -(Air Cleaner Base to Air Cleaner Bracket)
412	799830	1	NUT -(Air Cleaner Cover)
445	594146	1	FILTER, A/C Cartridge
467	691985	1	KNOB, Air Cleaner Cover
654	-----	2	NUT -(Part information located in Carburetor Group.)
875	596293	1	BASE, Air Cleaner
968	596292	1	COVER, Air Cleaner

Not For Reproduction

**1036** 

**1319B** 

**304**



**305** 

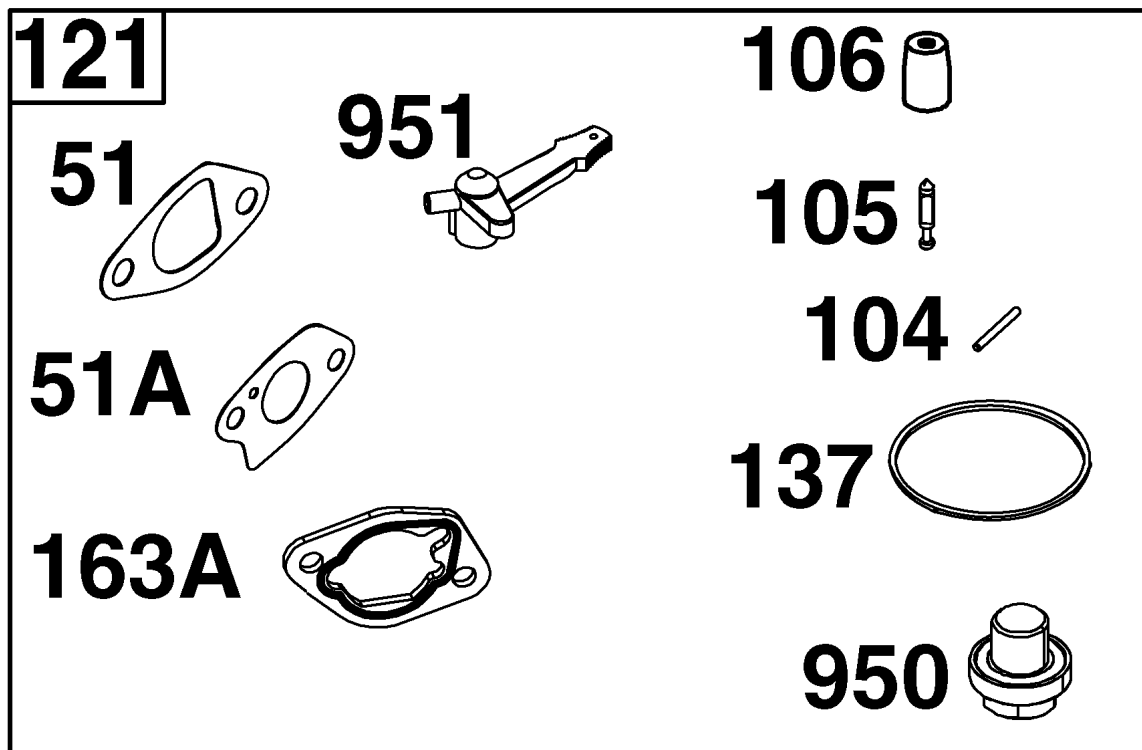
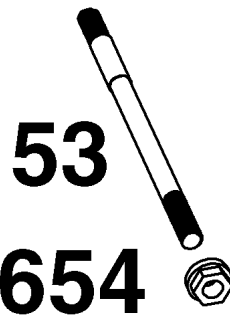
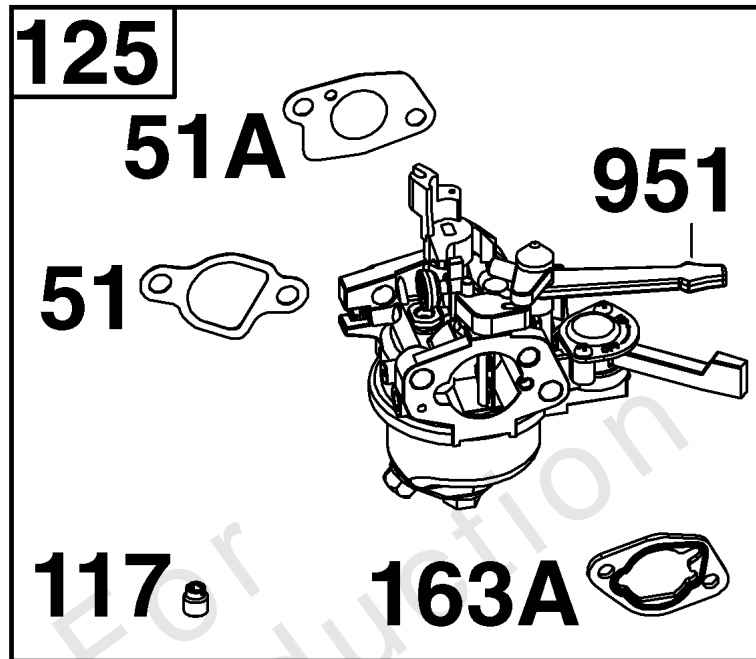
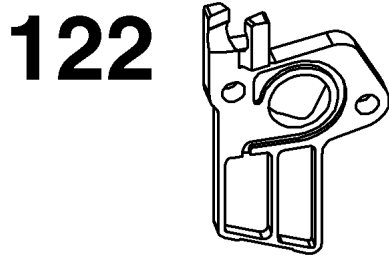
Not For Reproduction

## ***Blower Housing Group***

---

<b>REF NO</b>	<b>PART NO</b>	<b>QTY</b>	<b>DESCRIPTION</b>
1036	-----	1	LABEL, Emissions -(Available From A Briggs & Stratton Authorized Service Dealer)
304	596296	1	HOUSING, Blower
305	798618	4	SCREW
1319B	707872	1	DECAL-WARNING -(Required When Replacing Parts With Warning Labels Affixed)

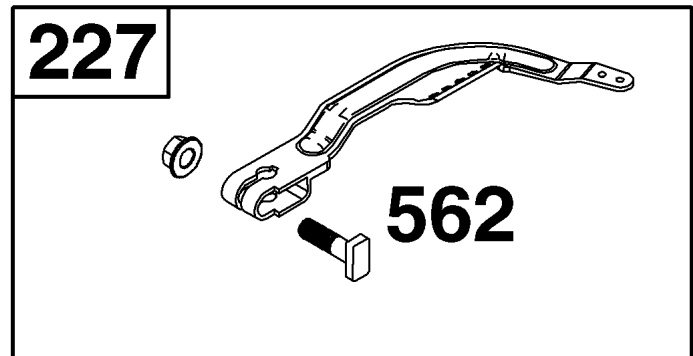
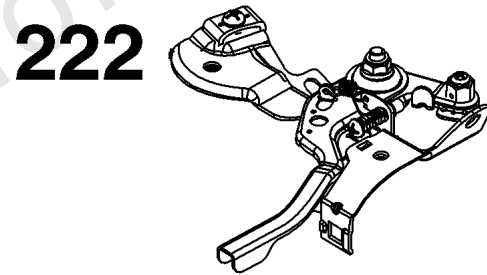
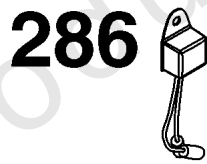
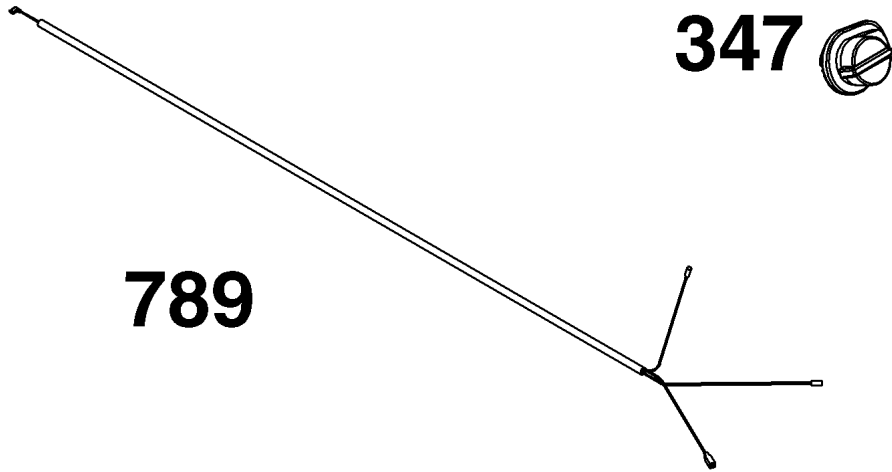
Not For Reproduction





## Carburetor Group

REF NO	PART NO	QTY	DESCRIPTION
51	-----	1	GASKET, Intake -(Part information located in Cylinder Head Group.)
51A	-----	1	GASKET, Intake
53	797278	2	STUD -(Carburetor)
104	-----	1	PIN, Float Hinge
105	-----	1	VALVE, Float Needle
106	-----	1	SEAT, Inlet
117	84008258	1	JET, Main -(Standard)
118	595720	1	JET, Main -(High Altitude)
121	594133	1	KIT, Carburetor Overhaul -(Service Kits can include parts not for this engine.)
122	595722	1	SPACER, Carburetor
125	84008257	1	CARBURETOR
137	-----	1	GASKET, Float Bowl
163A	797282	1	GASKET, Air Cleaner
654	690939	2	NUT -(Carburetor)
950	-----	1	SCREW, Float Bowl
951	-----	1	LEVER, Choke

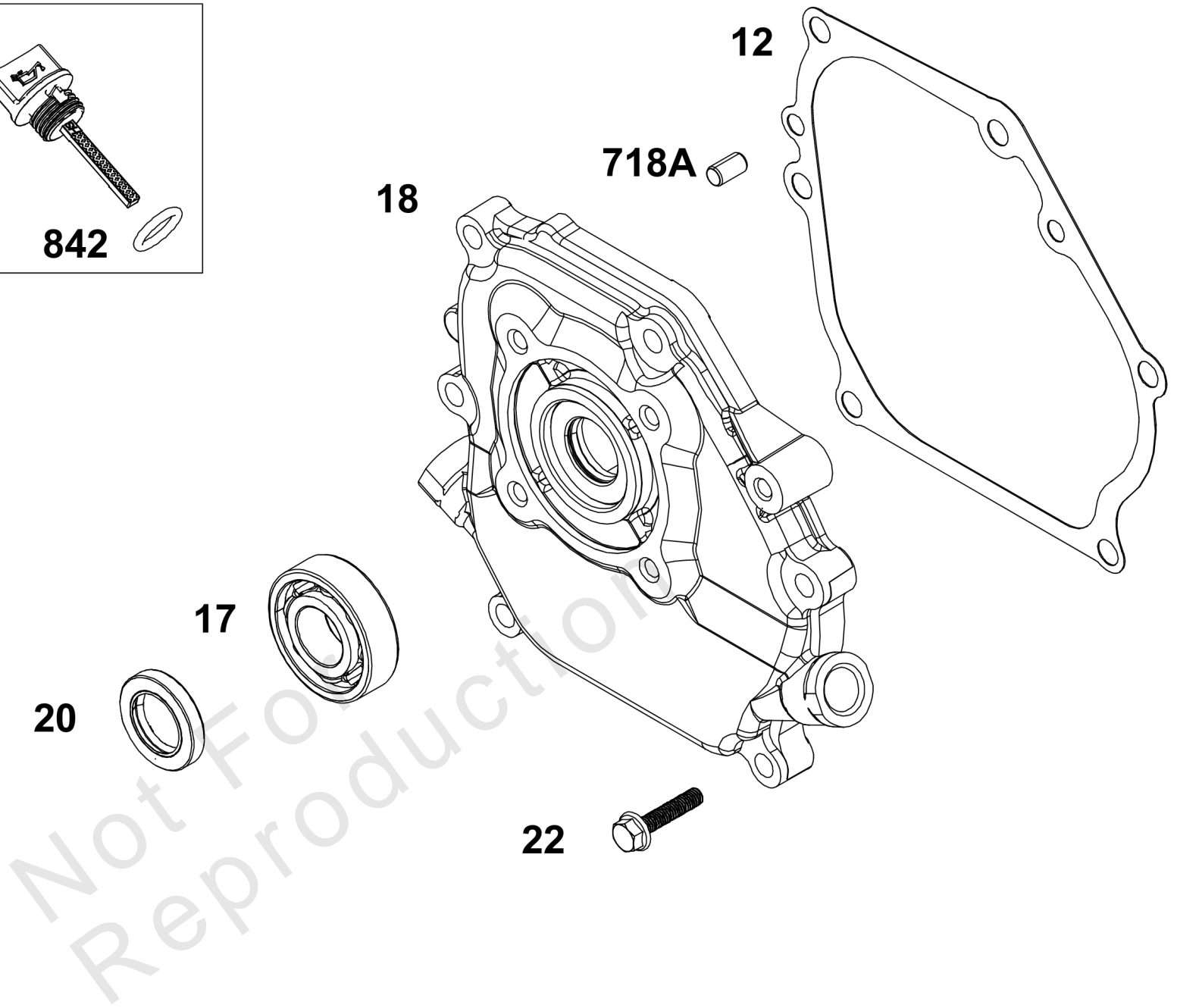
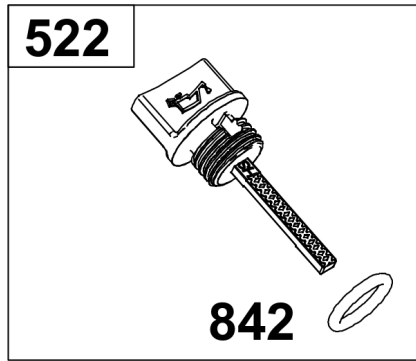


Not For Reproduction

## Controls Group

REF NO	PART NO	QTY	DESCRIPTION
188	798618	2	SCREW -(Control Bracket)
202	596301	1	LINK, Mechanical Governor
209	596302	1	SPRING, Governor
222	596303	1	BRACKET, Control
227	797231	1	LEVER, Governor Control
286	84004388	1	MODULE, OIL SENSOR
347	596300	1	SWITCH, Rocker
562	797230	1	BOLT -(Governor Control Lever)
789	596305	1	HARNESS, Wiring
1052	798631	1	SENSOR, Oil

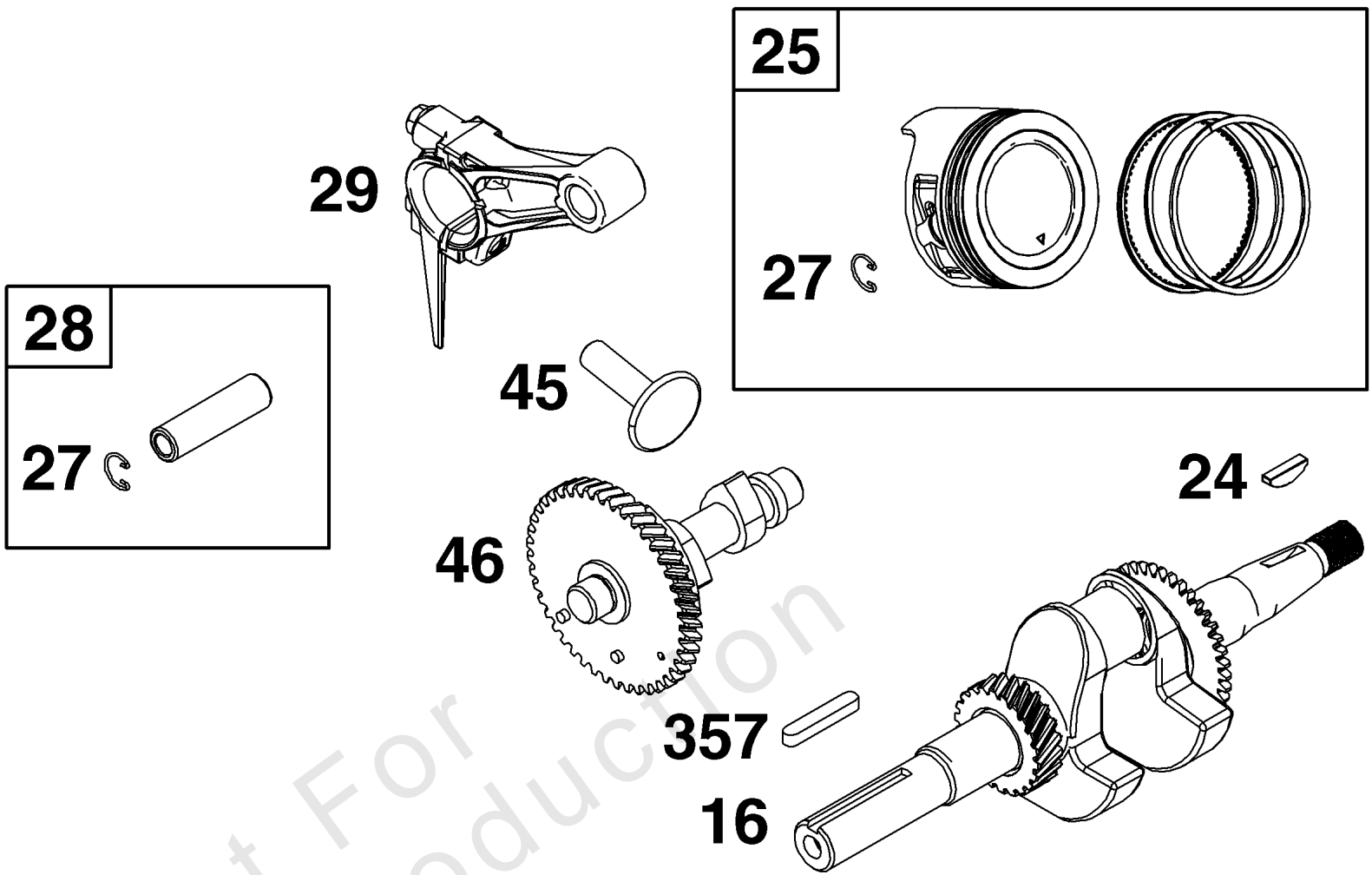
Not For Reproduction



## Crankcase Cover/Sump Group

REF NO	PART NO	QTY	DESCRIPTION
12	595695	1	GASKET, Crankcase
17	-----	1	BEARING, Ball -(Part information located in Cylinder Group.)
18	596289	1	COVER, Crankcase
20	595671	1	SEAL, Oil -(PTO Side)
22	84004645	6	SCREW -(Crankcase Cover/Sump)
522	798503	1	PLUG, Dipstick/Fill -(Part information located in Lubrication Group.)
718A	-----	2	PIN, Locating -(Part information located in Cylinder Group.)
842	594143	1	PLUG-DIPSTICK/FILL -(Part information located in Lubrication Group.)

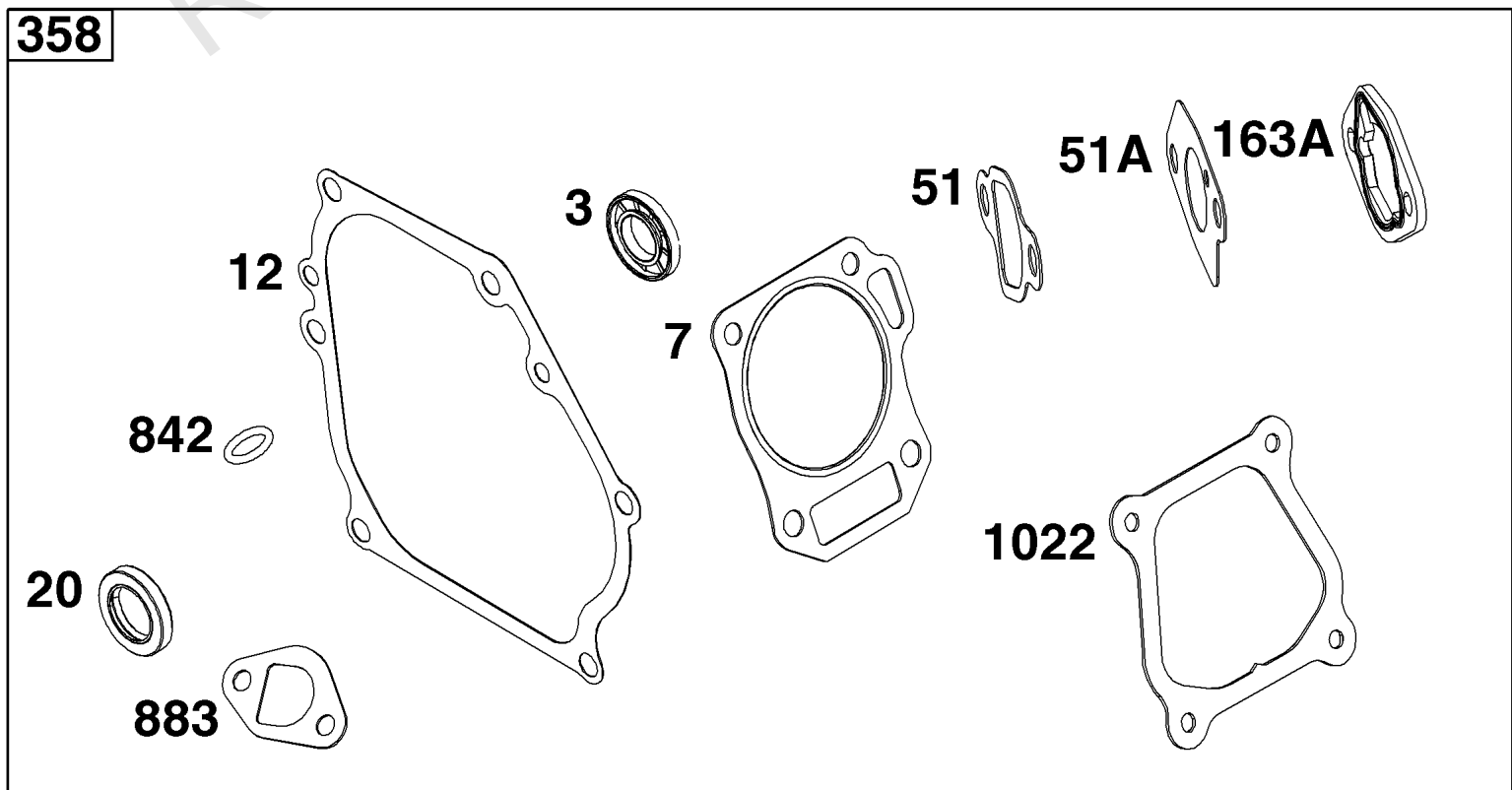
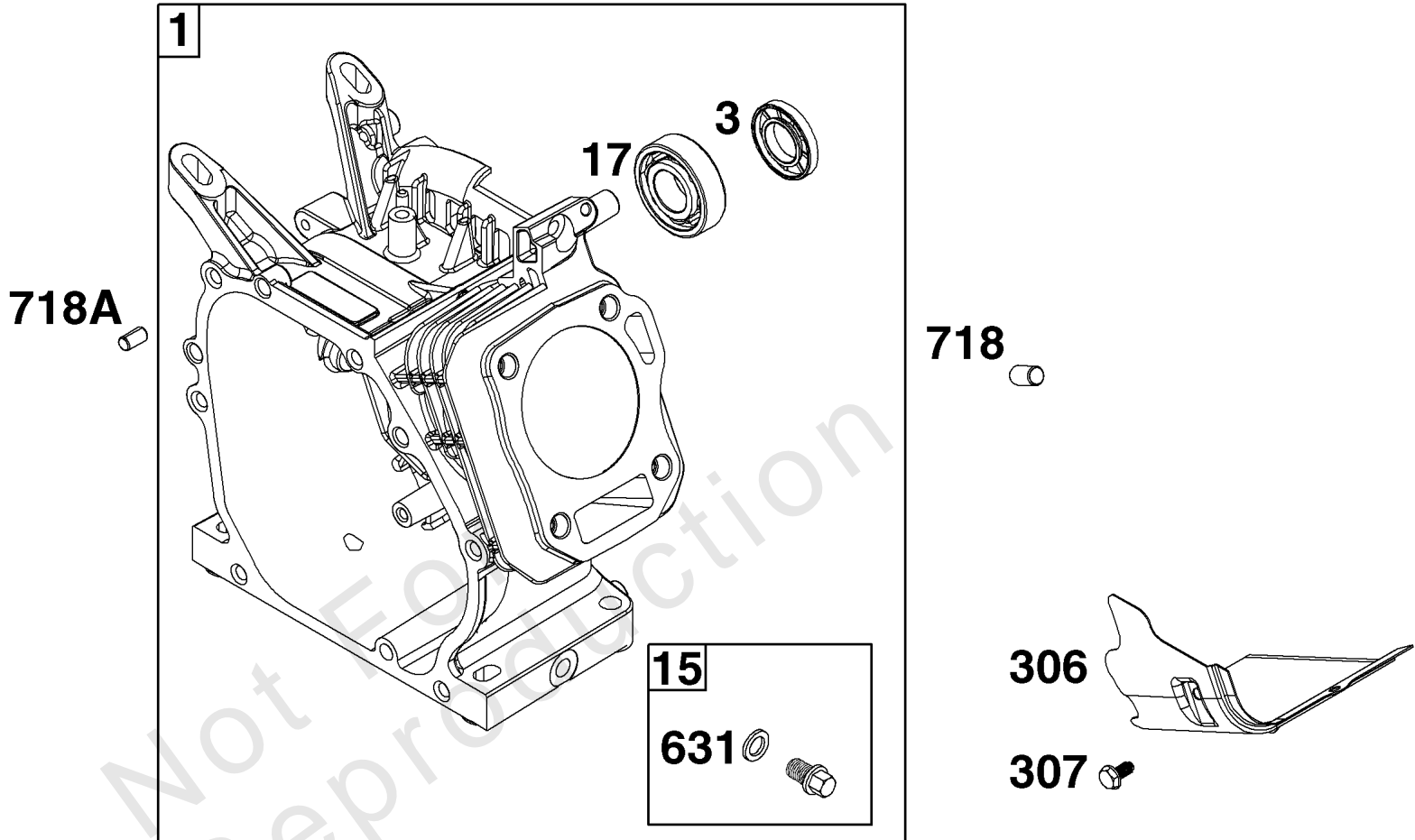
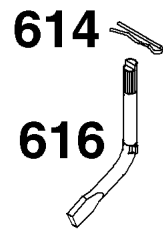
Not For Reproduction



## Crankshaft Group

REF NO	PART NO	QTY	DESCRIPTION
16	594137	1	CRANKSHAFT
24	797286	1	KEY, Flywheel
25	84008256	1	PISTON ASSEMBLY
27	592044	2	LOCK, Piston Pin
28	596287	1	PIN, Piston
29	595714	1	ROD, Connecting
45	-----	2	TAPPET, Valve -(Part information located in Cylinder Head Group.)
46	596286	1	CAMSHAFT
357	798305	1	KEY, Drive Pulley

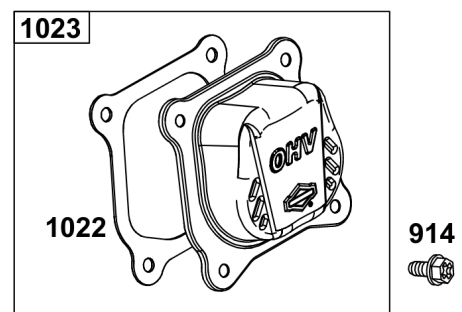
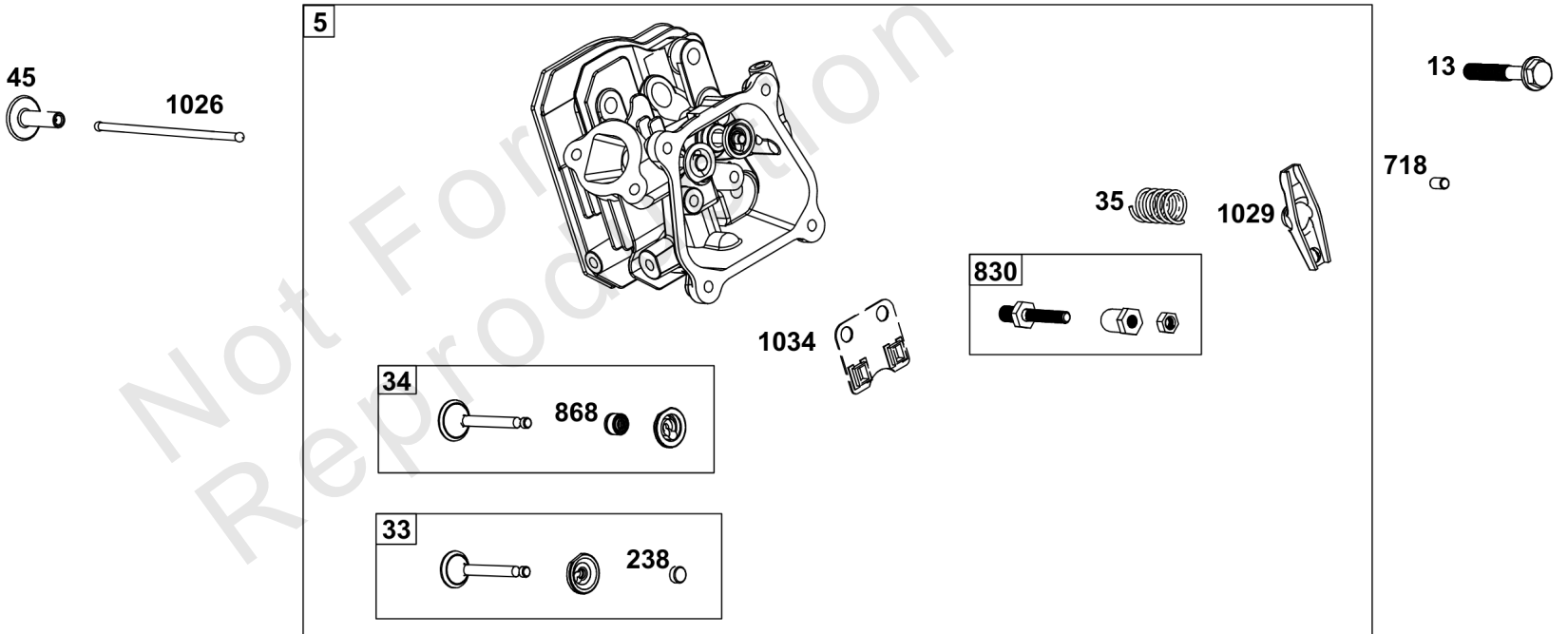
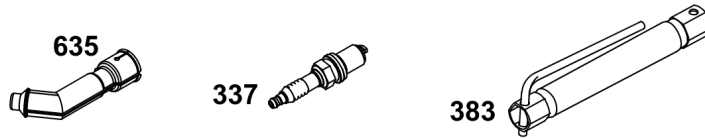
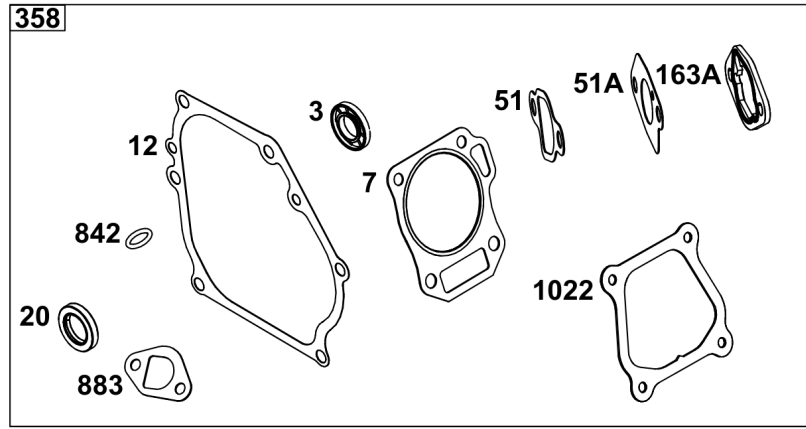
Not For Reproduction





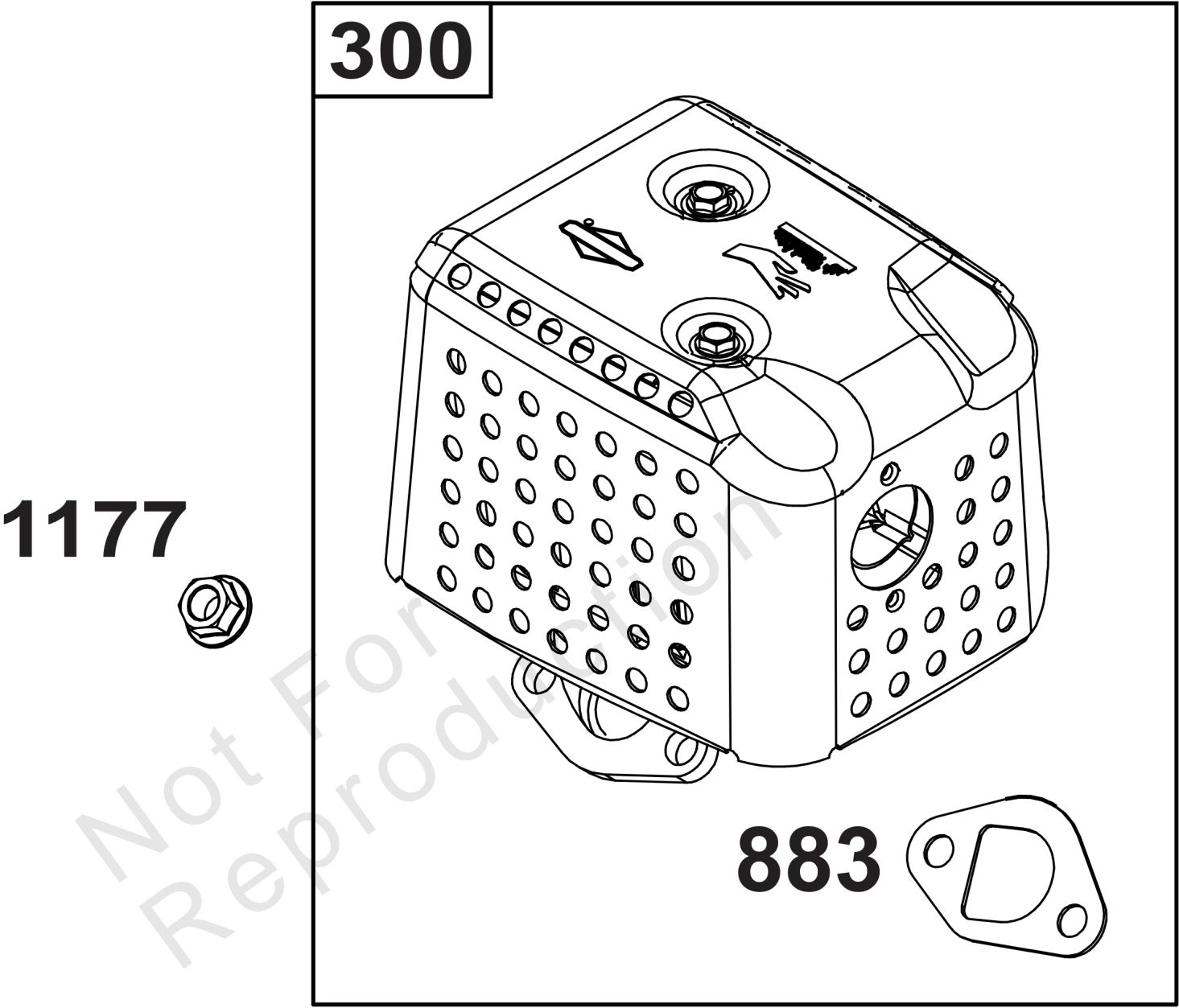
## Cylinder Group

REF NO	PART NO	QTY	DESCRIPTION
1	-----	1	CYLINDER ASSY -(Not Available)
3	-----	1	SEAL, Oil -(Magneto Side) (Not Available Individually) (See REF_358)
7	-----	1	GASKET, Cylinder Head -(Part information located in Cylinder Head Group.)
12	-----	1	GASKET, Crankcase -(Part information located in Crankcase Cover/Sump and Lubrication Group.)
15	797215	2	PLUG, Oil Drain
17	596284	1	BEARING, Ball
20	590712	1	SEAL, Oil -(Part information located in Crankcase Cover/Sump and Lubrication Group.)
51	-----	1	GASKET, Intake -(Part information located in Cylinder Head Group.)
51A	-----	1	GASKET, Intake -(Part information located in Cylinder Head Group.)
163A	-----	1	GASKET, Air Cleaner -(Part information located in Carburetor Group.)
306	596285	1	SHIELD, Cylinder
307	798618	2	SCREW
358	594951	1	GASKET SET, Engine -(Service Kits may include extra parts not specific to this engine.)
614	797229	1	PIN, Cotter
616	596282	1	CRANK, Governor
631	797216	1	WASHER -(Oil Drain Plug)
718	797214	2	PIN, Locating
718A	797326	2	PIN, Locating
842	-----	1	SEAL, O-Ring -(Part information located in Crankcase Cover/Sump and Lubrication Group.)
883	-----	1	GASKET, Exhaust -(Part information located in Exhaust Group.)
1022	-----	1	GASKET, Rocker Cover -(Part information located in Cylinder Head Group.)



## Cylinder Head Group

REF NO	PART NO	QTY	DESCRIPTION
3	596284	1	BEARING, Ball
5	-----	1	HEAD, Cylinder -(No Longer Available)
7	-----	1	GASKET, Cylinder Head -(No Longer Available)
12	-----	1	GASKET, Crankcase
13	84004646	4	SCREW -(Cylinder Head)
20	-----	1	SEAL, Oil
33	594145	1	VALVE, Exhaust
34	594144	1	VALVE, Intake
35	797203	1	SPRING, Valve -(Intake)
45	797208	2	TAPPET, Valve
51	595682	1	GASKET, Intake
51A	797280	1	GASKET, Intake
163A	-----	1	GASKET, Air Cleaner -(Part information located in Carburetor Group.)
238	797206	1	CAP, Valve
337	798615	1	PLUG, Spark
358	-----	1	GASKET SET, Engine
383	590721	1	WRENCH, Spark Plug
635	797685	1	BOOT, Spark Plug
718	-----	2	PIN, Locating
830	595686	2	STUD, Rocker Arm
842	-----	1	SEAL, O-Ring
868	595679	2	SEAL, Valve
883	-----	1	GASKET, Exhaust
914	798618	4	SCREW -(Rocker Cover)
1022	84004342	1	GASKET, Rocker Cover
1023	797196	1	COVER, Rocker
1026	595677	2	ROD, Push
1029	595685	2	ARM, Rocker
1034	595684	1	PLATE, Cylinder Head



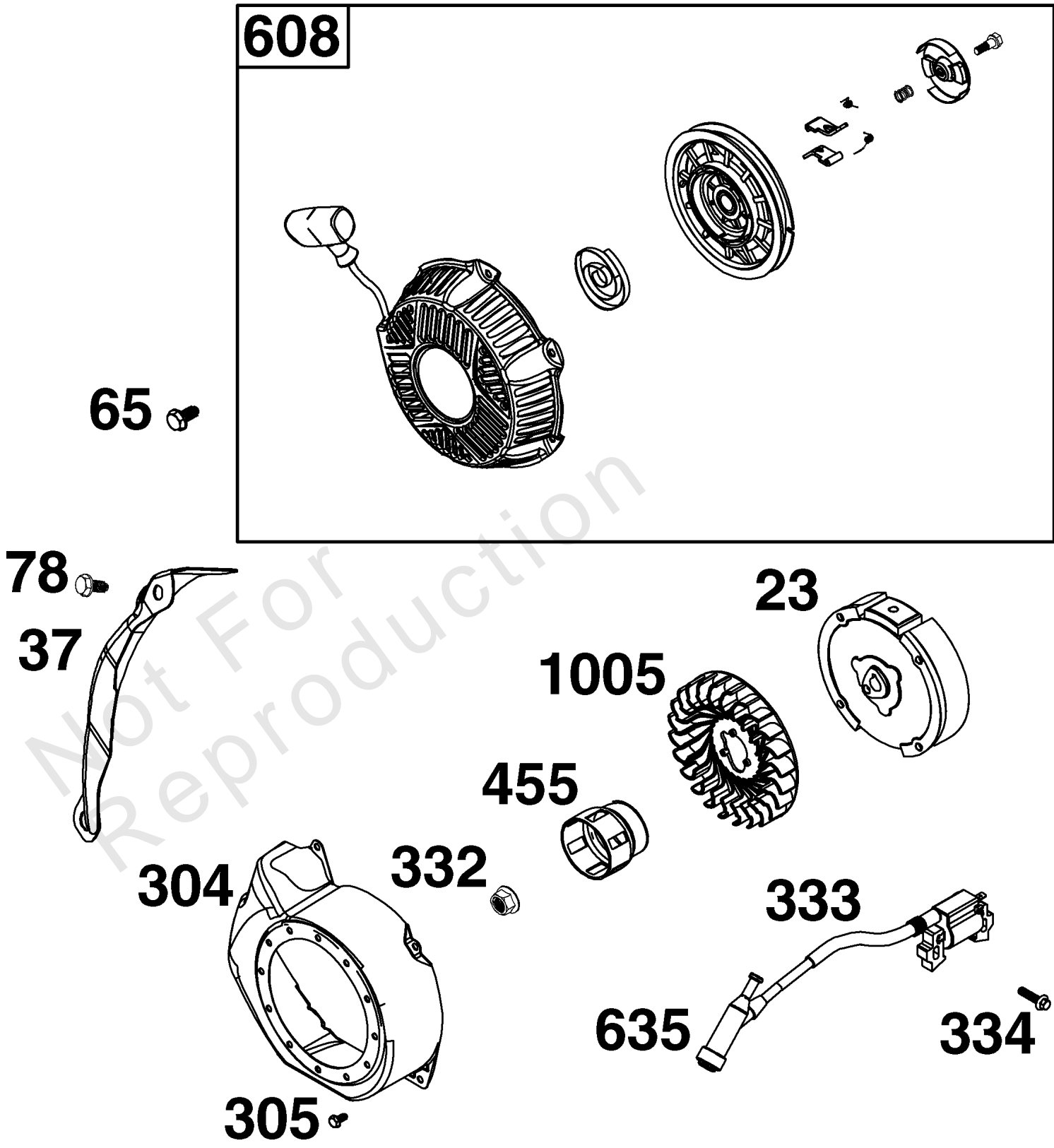
## *Exhaust Group*

---

REF NO	PART NO	QTY	DESCRIPTION
300	596331	1	MUFFLER
883	709664	1	GASKET, Muffler Adapter
1177	590965	2	NUT -(Muffler)

---

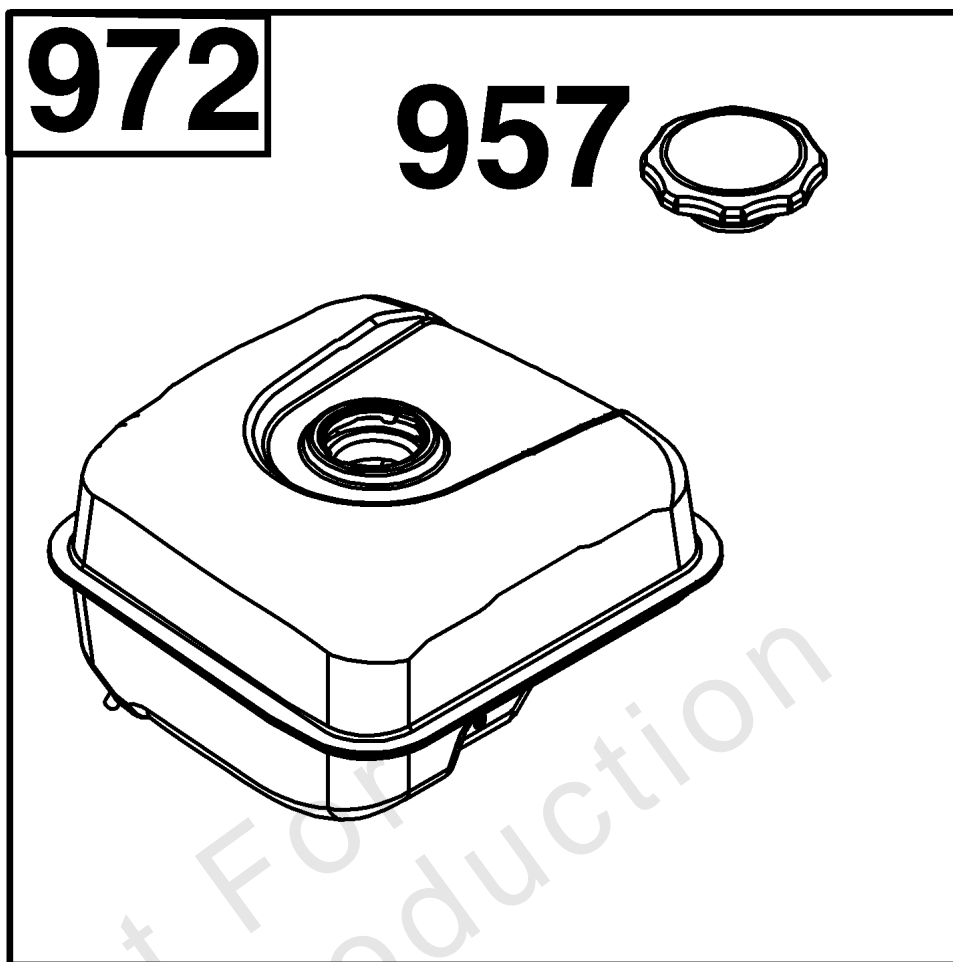
Not For Reproduction



## ***Flywheel/Ignition/Starter Group***

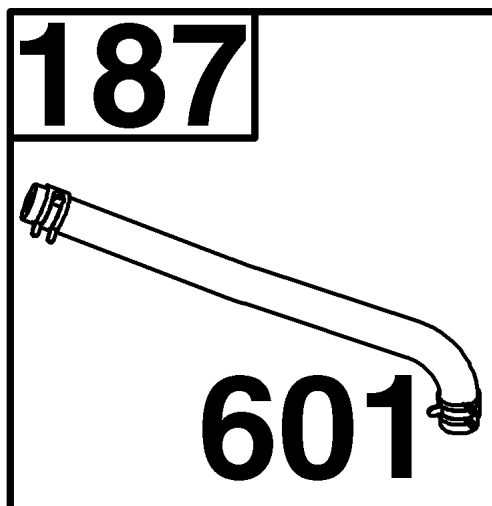
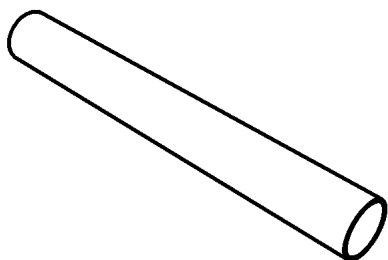
<b>REF NO</b>	<b>PART NO</b>	<b>QTY</b>	<b>DESCRIPTION</b>
23	84008259	1	FLYWHEEL
37	596283	1	GUARD, Flywheel
65	797654	3	SCREW -(Rewind Starter)
78	798975	1	SCREW -(Flywheel Guard)
304	-----	1	HOUSING, Blower
305	-----	4	SCREW
332	797285	1	NUT -(Flywheel)
333	593455	1	ARMATURE, Magneto
334	797655	2	SCREW -(Magneto Armature)
455	596297	1	CUP, Flywheel
608	594136	1	STARTER, Rewind
635	-----	1	BOOT, Spark Plug -(Part information located in Cylinder Head Group.)
1005	596298	1	FAN, Flywheel

Not For Reproduction



705<sup>®</sup>

1357



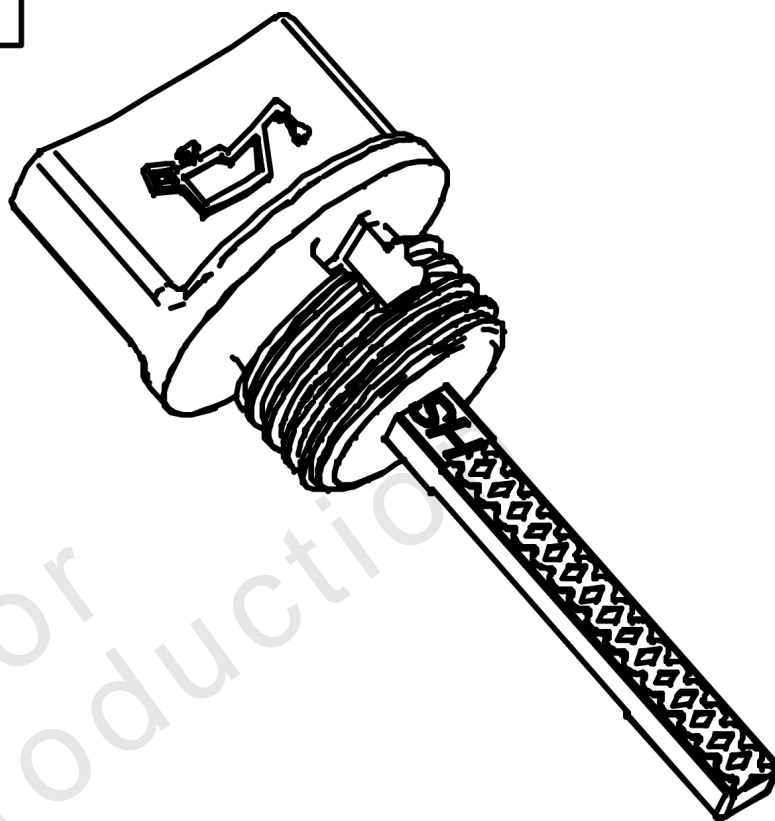


## *Fuel Supply Group*

REF NO	PART NO	QTY	DESCRIPTION
187	594142	1	LINE, Fuel
601	791850	2	CLAMP, Hose
705	690939	2	NUT -(Fuel Tank)
957	594135	1	CAP, Fuel Tank
972	594134	1	TANK, Fuel
1357	596098	1	SLEEVE, Fuel Line

Not For Reproduction

**522**



Not For  
Reproduction

**842**



## Lubrication Group

REF NO	PART NO	QTY	DESCRIPTION
522	798503	1	PLUG, Dipstick/Fill
842	594143	1	PLUG-DIPSTICK/FILL -(Dipstick Cap)

Not For Reproduction

